

Platform MXP

The modular platform system
for MAXIMO and TRIO



Edition 04 | 2011

PERI GmbH
Formwork Scaffolding Engineering

P.O. Box 1264

89259 Weissenhorn

Germany

Tel. +49 (0) 7309.950-0

Fax +49 (0) 7309.951-0

info@peri.com

www.peri.com

Important Notes:

Without exception, all current safety regulations must be observed in those countries where our products are used.

The illustrations in this brochure are photographs of real site situations. Safety or formwork anchor details are therefore not to be taken as a definitive guide to the way the equipment is to be used.

Safety instructions and load specifications are to be strictly observed at all times. Separate structural calculations are required for any deviations from the standard design data.

The information contained herein is subject to technical changes in the interests of progress. Errors and typographical mistakes reserved.

Content

PERI Platform MXP

- 2 The modular platform system for a high level of safety on the construction site
- 4 System components for efficient working areas and safe access means
- 6 Simple and fast assembly to MAXIMO and TRIO panels
- 8 Components
- 16 PERI International

Platform MXP

The modular platform system for a high level of safety on the construction site

In order to meet the high safety requirements on the building site, PERI developed a new platform system for MAXIMO and TRIO panel formwork.

Thanks to its unique design, the new MAXIMO MXP platform system provides maximum safety for all formworking operations on the construction site:

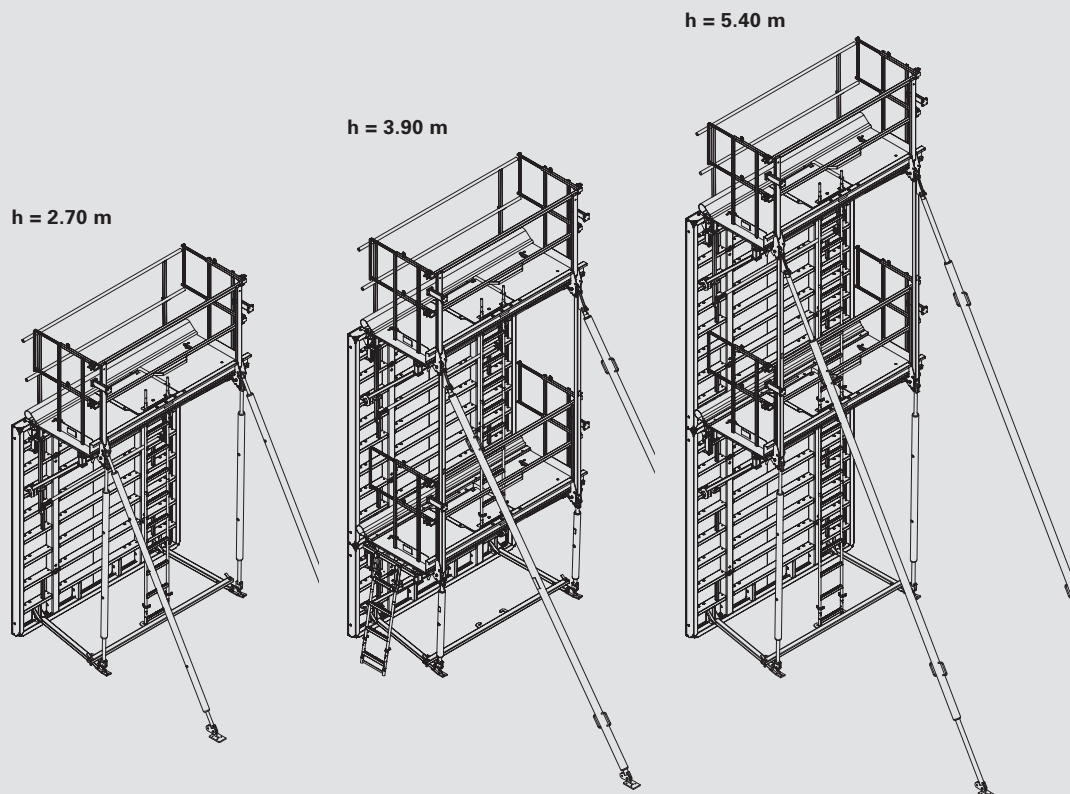
- Easy and simple tie operations.
- Simple attachment and removal of panel connections by means of BFD alignment couplers.
- Safe working conditions during concreting.
- Ideal access from all sides, also to the stopend formwork.



Safe working conditions on the MXP platform.

A complete programme

As the platforms are matched to suit the panel widths of the MAXIMO and TRIO systems, the high flexibility of the panel formwork remains completely unchanged. The platforms are available in 240, 120, 90 and 72 cm widths. Further system components such as the MXP end platform MXP, the front guardrails in different widths and the MXP erection device round off the programme and ensure efficient and safe formworking operations.



6.60 m high MAXIMO complete with MXP platforms and ladder access.



Platform MXP

System components for efficient working areas and safe access means



MAXIMO Platform MXP

The 1.20 m wide and level platform provides optimal working conditions on the construction site. High safety levels and efficient working are always assured. The systematic arrangement of the platforms offers safe access to all tie points and easy to use panel connections.

The wide, self-locking and lightweight access hatch made of aluminum allows safe access to the platform and, if required, from platform to platform.

Guardrails on the formwork side (front side of platform)

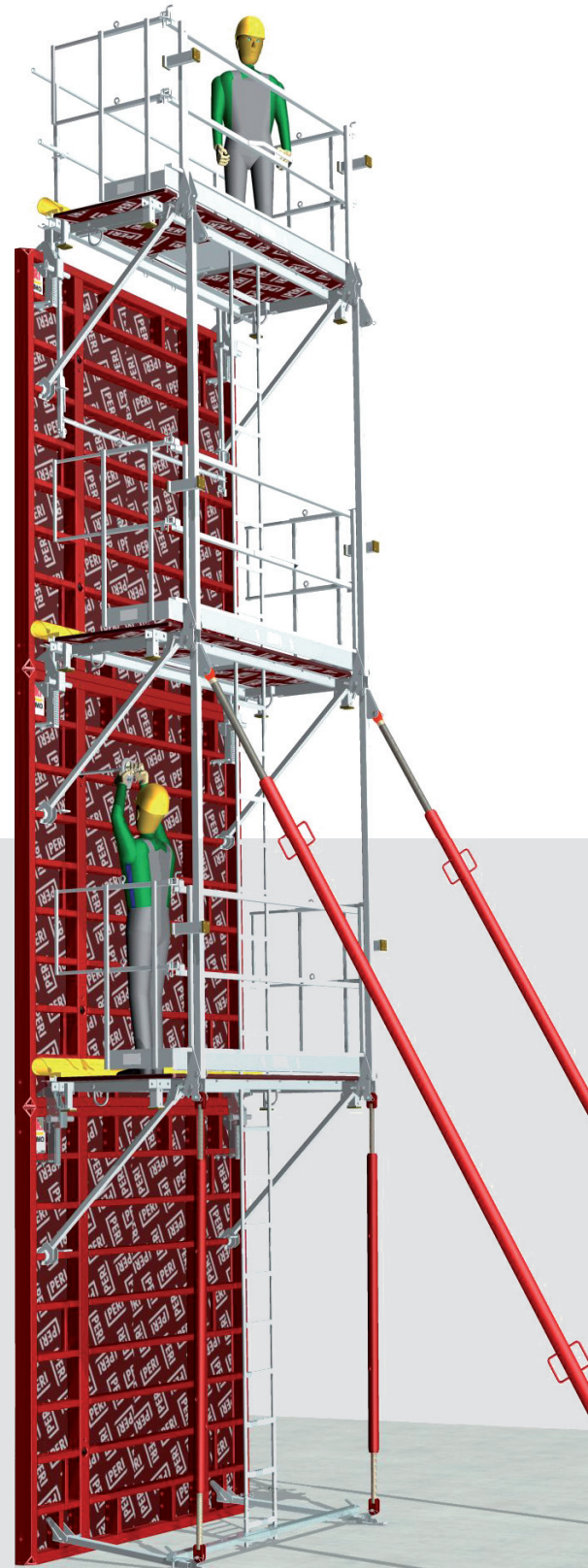
The Front Guardrail MXP is integrated in the system and is extendable from below. It provides the required safety and the necessary protection on the formwork side. Thanks to the available widths of 240, 120, 90 and 72 cm, the flexibility of the MAXIMO and TRIO panel formwork also remains here completely intact.

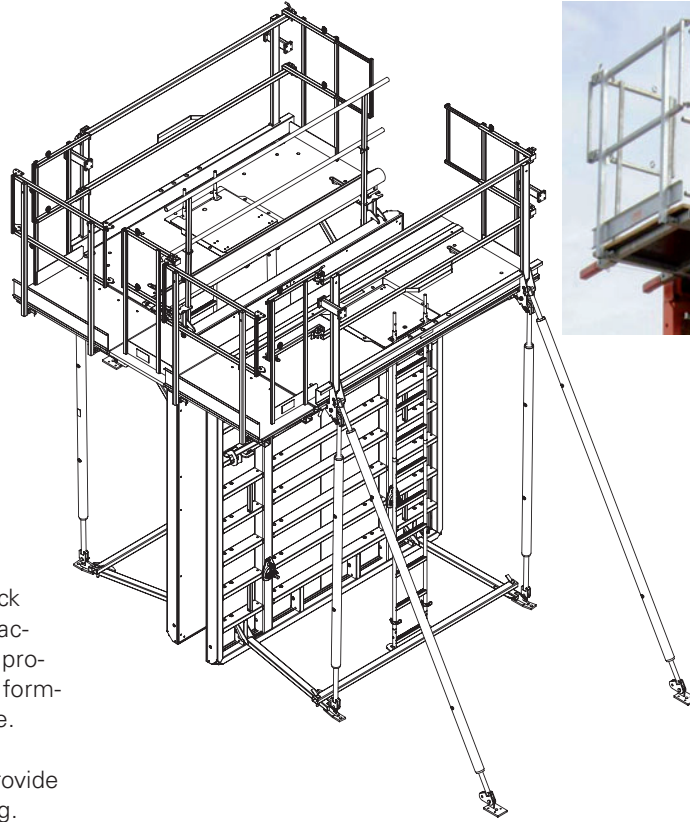
Protecting the formwork against soiling

A hinged cover made of rubber on the front side of the platforms ensures maximum protection against soiling. As a result, the amount of cleaning required is greatly reduced and formworking operations become more efficient.

Safe tie operations

The arrangement of the platforms allows easy tie operations. The top tie of the 2.70 m high panel can also be installed and removed without any problems.





The MXP platform guardrails are simply folded downwards.

The End Platform MXP

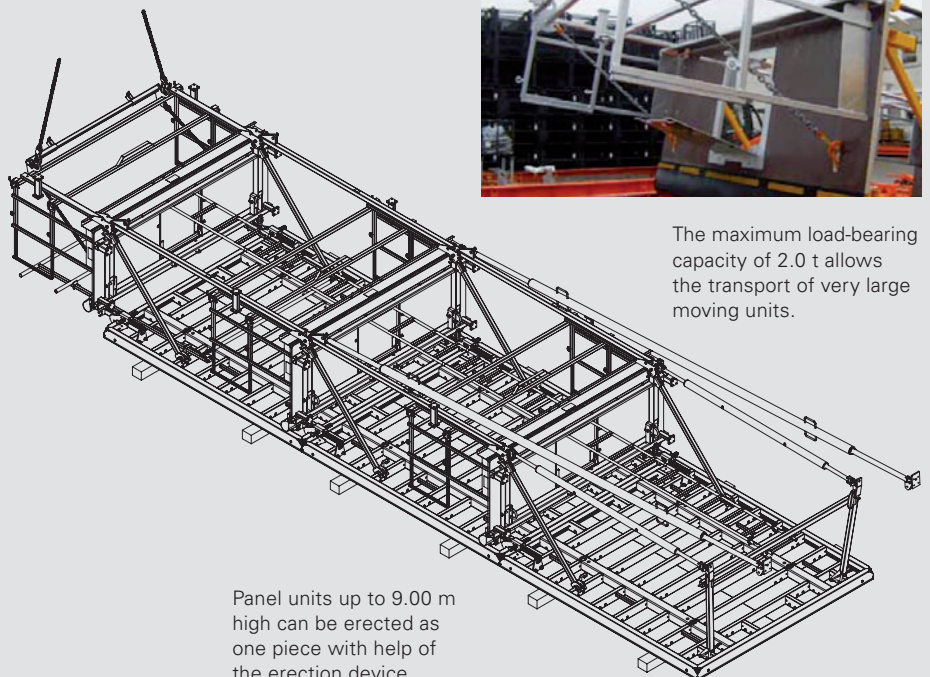
This is extremely important for thick and high walls. Through this, safe access to the front areas along with providing easier movement from one formwork side to the other are possible. The well-engineered design of the guardrails on the main platforms provide end-to-end protection against falling.

The Erection Device MXP

The MXP erection device is used for the safe erection and moving of complete formwork units (formwork panels with platforms and push-pull props). The integrated crane eyes are positioned in the load centre of gravity and ensures vertical lifting operations. This means that the units are suspended perpendicularly, and large elements can also be moved.



The maximum load-bearing capacity of 2.0 t allows the transport of very large moving units.

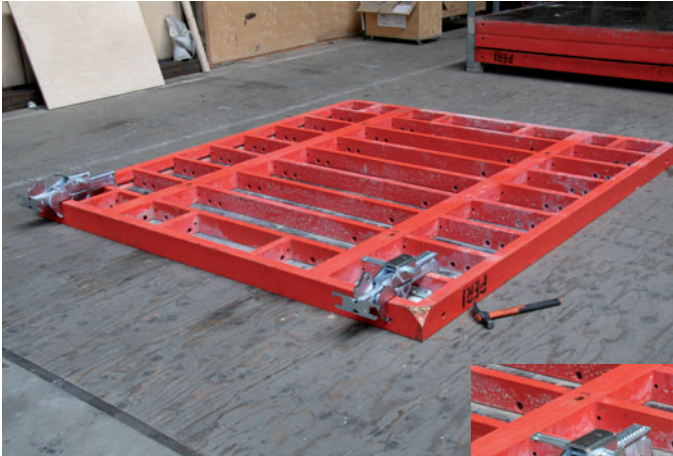


Panel units up to 9.00 m high can be erected as one piece with help of the erection device.

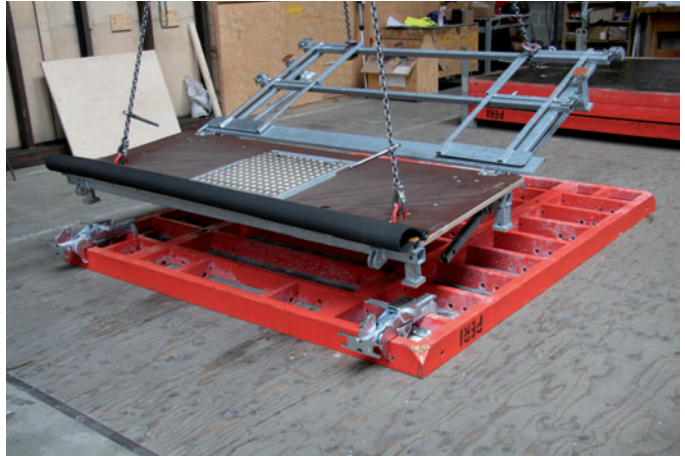


Platform MXP

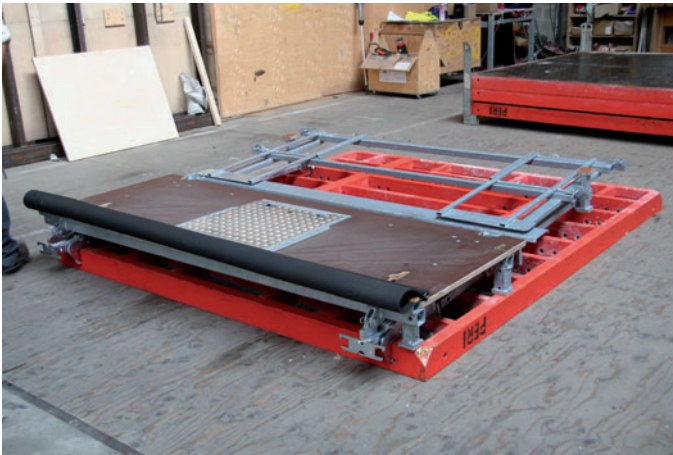
Simple and fast assembly to MAXIMO and TRIO panels



1. For first time usage, install Connector for Platform MXP in the panel struts.



2. Position Platform MXP on the panel by means of crane lifting chains.



3. Bolt the Platform MXP to the Connector for Platform MXP.



4. Fold out guardrails and swivel up the platform.



5. Secure diagonal bracing in the panel struts.



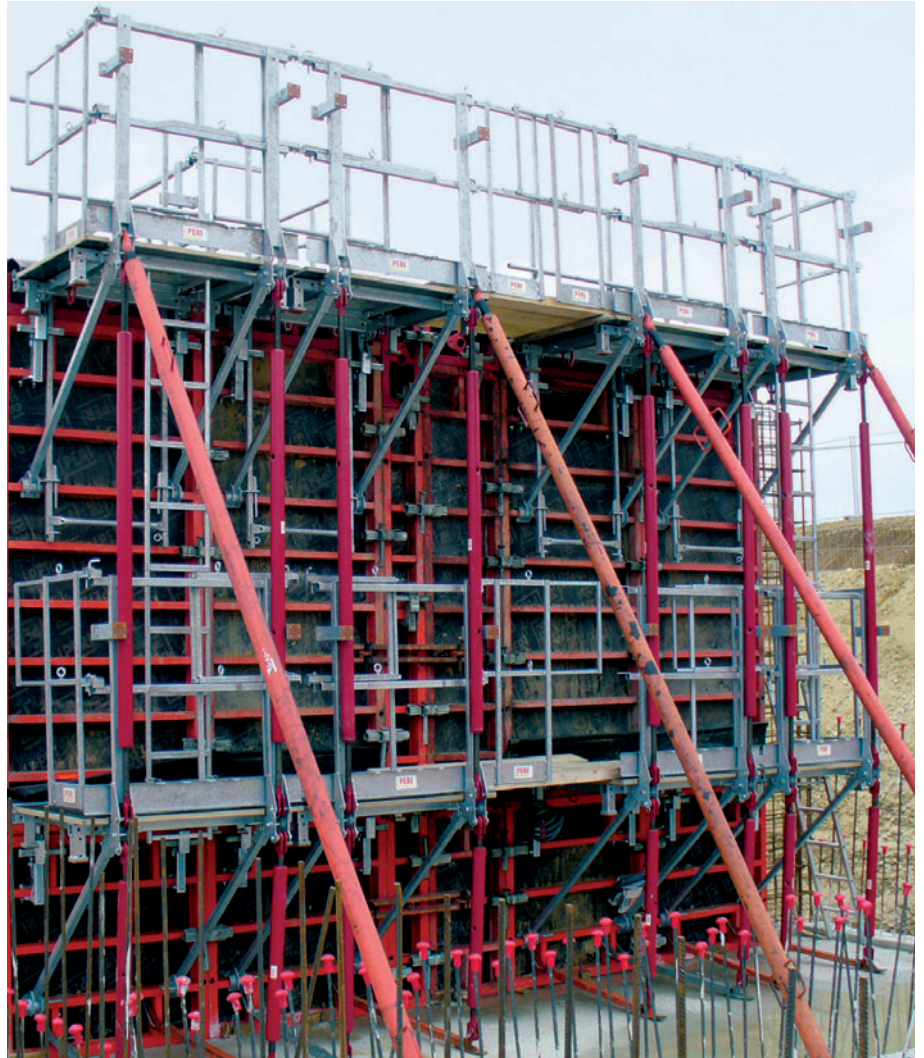
6. Mount push-pull props and horizontal struts.

High rigidity for maximum concreting heights up to 9.00 m

The high rigidity of the MAXIMO and TRIO panels together with the perfect BFD panel connection allow basic assembly of the units on the ground. Naturally, MAXIMO and TRIO panels also provide the required strength and stability in order to be able to ensure cost-effective concreting at these large heights. With up to 80 kN/m² permissible fresh concrete pressure, concreting can take place very quickly.



7. Panel erection



The high rigidity of the panels and the panel connection allow concreting at large heights. As a result, the MXP platform provides maximum working safety.

MAXIMO Panel Formwork



Item no.	Weight kg
115935	169,000
115937	137,000

Platforms MXP with Hatch
Platform MXP 240 x 100 with Hatch
Platform MXP 120 x 100 with Hatch

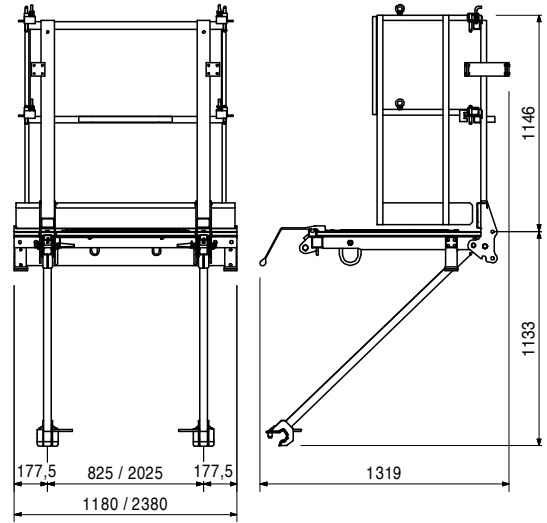
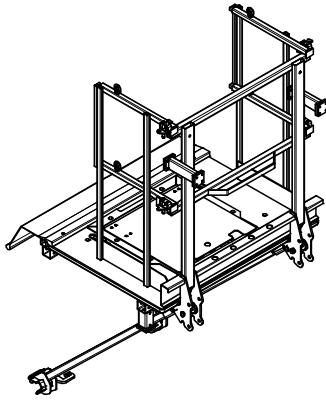
Working and Concreting Platform for MAXIMO and TRIO. With self-locking access hatch. With End Guardrail.

Complete with

- 1 pc. 115945 End Guardrail MXP left
- 1 pc. 115946 End Guardrail MXP right

Technical Data

Permissible load 150 kg/m².



Accessories

115947	13,000
--------	--------

Connector for Platform MXP

115936	188,000
115938	131,000

Platforms MXP without Hatch
Platform MXP 240 x 100 without Hatch
Platform MXP 120 x 100 without Hatch

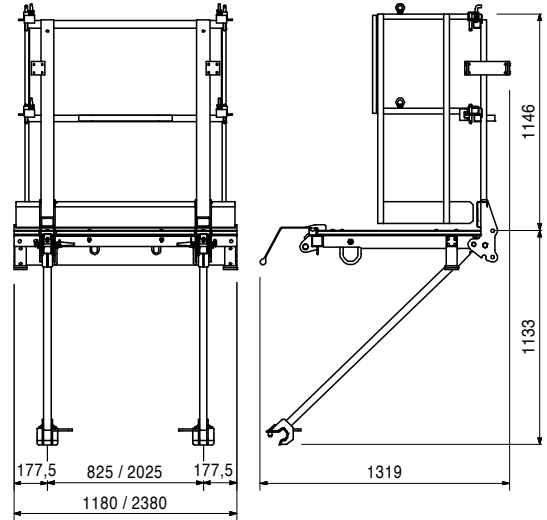
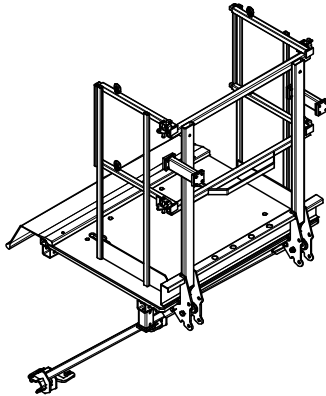
Working and Concreting Platform for MAXIMO and TRIO. With End Guardrail.

Complete with

- 1 pc. 115945 End Guardrail MXP left
- 1 pc. 115946 End Guardrail MXP right

Technical Data

Permissible load 150 kg/m².



Accessories

115947	13,000
--------	--------

Connector for Platform MXP

MAXIMO Panel Formwork



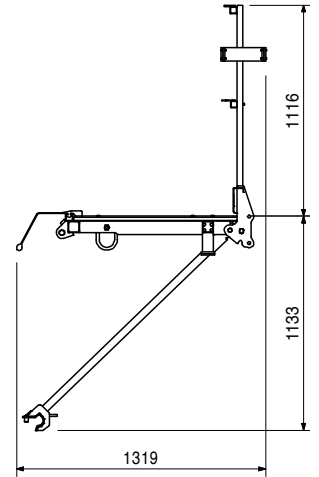
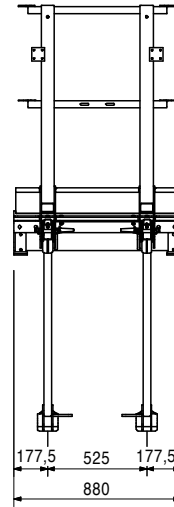
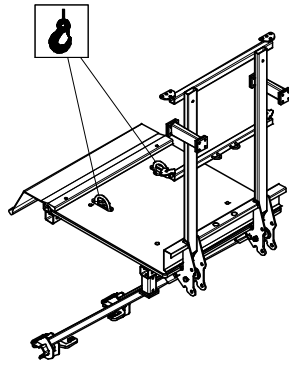
Item no.	Weight kg
115939	94,600

Platform MXP 90 x 100

Working and Concreting Platform for MAXIMO and TRIO.

Technical Data

Permissible load 150 kg/m².



Accessories

115947	13,000
--------	--------

Connector for Platform MXP

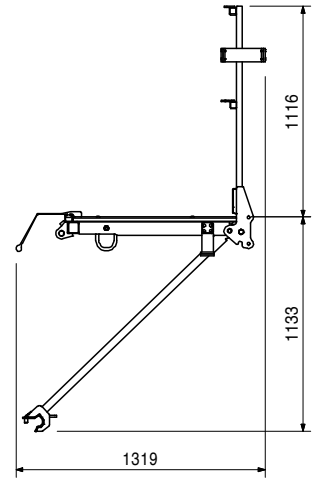
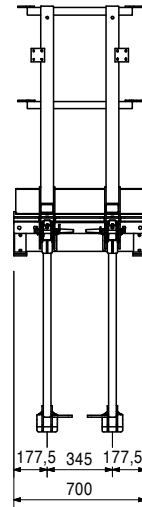
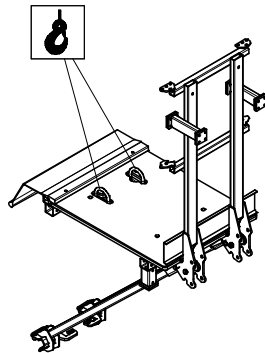
115940	85,700
--------	--------

Platform MXP 72 x 100

Working and Concreting Platform for MAXIMO and TRIO.

Technical Data

Permissible load 150 kg/m².



Accessories

115947	13,000
--------	--------

Connector for Platform MXP

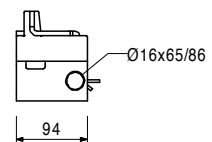
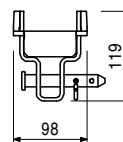
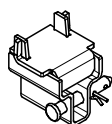
115948	1,460
--------	-------

Adaptor for Connector Platform MXP

For the flexible use of Platforms MXP on cross-beams of turned (horizontal) MAXIMO and TRIO panels.

Complete with

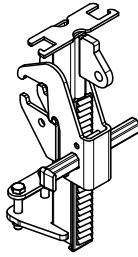
- 1 pc. 018050 Bolt Ø 16 x 65/86, galv.
- 1 pc. 018060 Cotter Pin 4/1, galv.



Item no.	Weight kg
115947	13,000

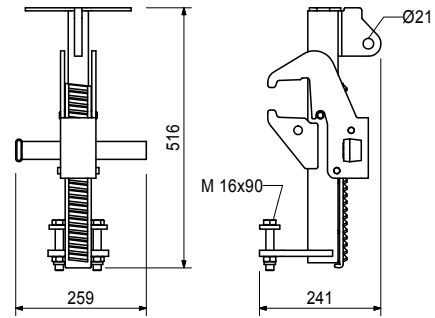
Connector for Platform MXP

For assembling Platforms MXP to MAXIMO and TRIO panels.



Complete with

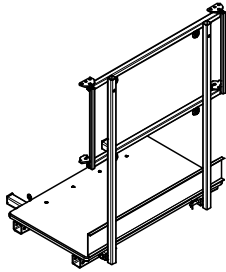
2 pc. 721729 Bolt ISO 4014 M16 x 90-8.8, galv.
2 pc. 070890 Nut ISO 7042 M16-8, galv.



115949	44,700
--------	--------

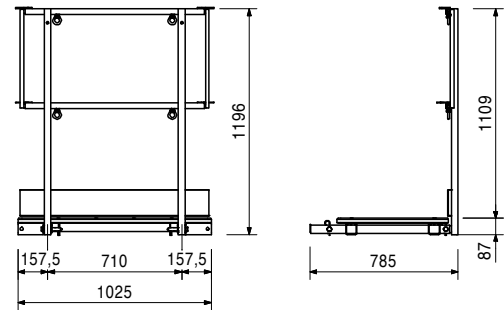
End Platform MXP

Working and Concreting Platform for MAXIMO and TRIO.



Technical Data

Permissible load 150 kg/m².



115943	23,000
115944	15,800
116376	14,200
114569	13,100

Front Guardrails MXP

Front Guardrail MXP 240

Front Guardrail MXP 120

Front Guardrail MXP 90

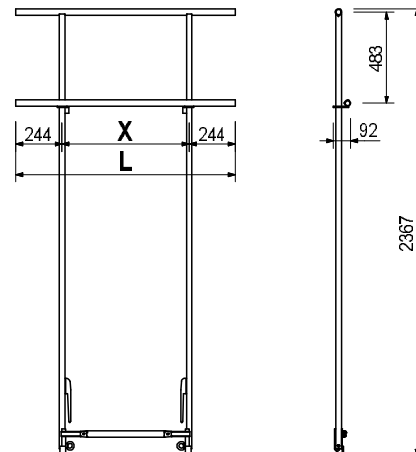
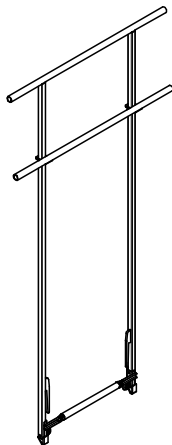
Front Guardrail MXP 72

As guardrail for Platforms MXP towards the formwork.

L	X
2360	1873
1160	672
860	372
680	192

Complete with

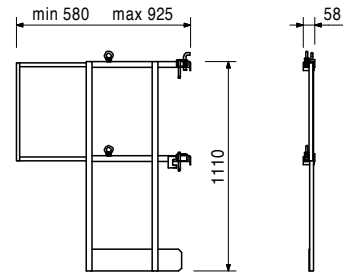
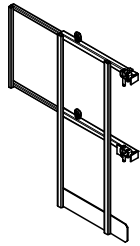
2 pc. 722802 Eye bolt M10 DIN 580, galv.



Item no.	Weight kg
115945	10,700
115946	10,700

End Guardrails MXP
End Guardrail MXP left
End Guardrail MXP right
 For MAXIMO Platforms MXP.
 Drawing shows End Guardrail MXP left.

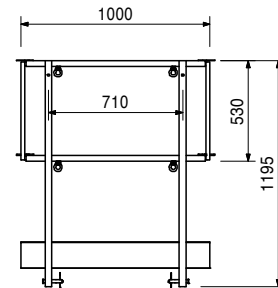
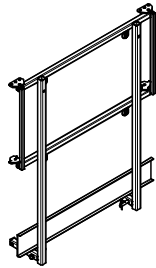
Complete with
 2 pc. 722802 Eye bolt M10 DIN 580, galv.



115950	18,800
--------	--------

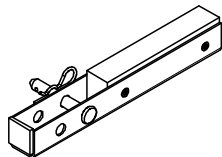
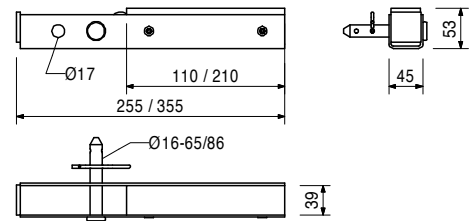
End Platform Guardrail MXP
 For MAXIMO Platforms MXP.

Complete with
 4 pc. 722802 Eye bolt M10 DIN 580, galv.
 2 pc. 018050 Bolt \varnothing 16 x 65/86, galv.
 2 pc. 018060 Cotter Pin 4/1, galv.



115926	1,480
115933	1,090

Platform Extensions MXP
Platform Extension MXP 25
Platform Extension MXP 15
 As compensator between Platforms MXP.



MAXIMO Panel Formwork

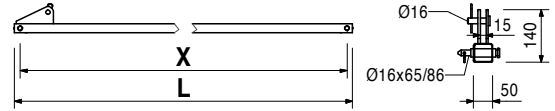
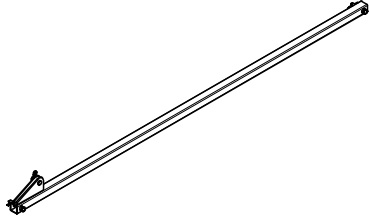


Item no.	Weight kg
116804	10,000
115941	11,100
115942	13,400

Lattice Struts MXP
Lattice Strut MXP 240
Lattice Strut MXP 270
Lattice Strut MXP 330

L	X
2320	2260
2620	2560
3220	3160

Complete with
 2 pc. 018050 Bolt Ø 16 x 65/86, galv.
 1 pc. 027170 Bolt Ø 16 x 42, galv.
 3 pc. 018060 Cotter Pin 4/1, galv.

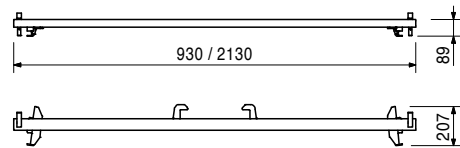
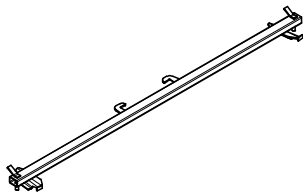


115951	11,300
115952	6,210

Bracings MXP
Bracing MXP 240
Bracing MXP 120

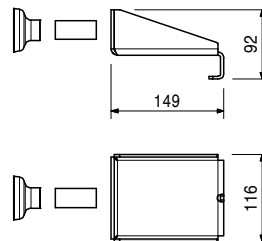
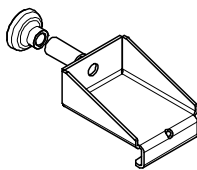
As horizontal strut on the lowest panel with fixing for Ladder MXP. For platform width 240 and 120.

Complete with
 2 pc. 101439 Pin Ø 16 x 80
 2 pc. 750329 Sleeve ISO 8752 5 x 20, galv.



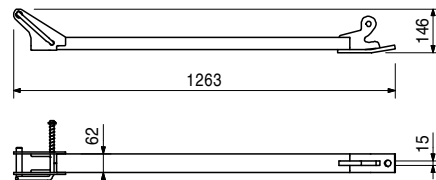
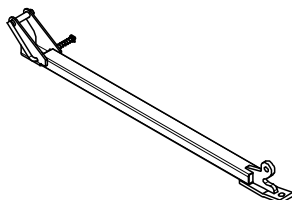
118450	3,120
--------	-------

Load bearing capacity bracing MXP



111979	7,610
--------	-------

Kicker MXP 118

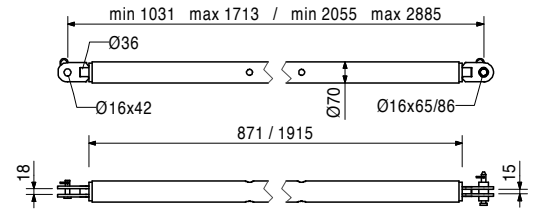
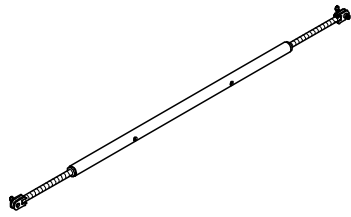


Item no.	Weight kg
115953	18,200
115954	12,100

Push-Pull Props MXP
Push-Pull Props MXP 270
Push-Pull Props MXP 120

Complete with

1 pc. 018050 Bolt \varnothing 16 x 65/86, galv.
 1 pc. 027170 Bolt \varnothing 16 x 42, galv.
 2 pc. 018060 Cotter Pin 4/1, galv.



115955	19,600
--------	--------

Erection Device MXP

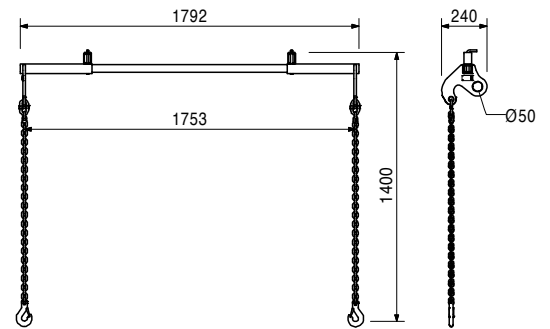
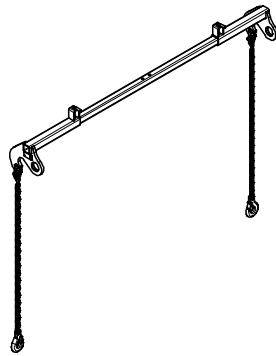
For setting up completely assembled platform units (Formwork and Platforms) of MAXIMO and TRIO.

Note

Adjustable for Platform width 240 and 120

Technical Data

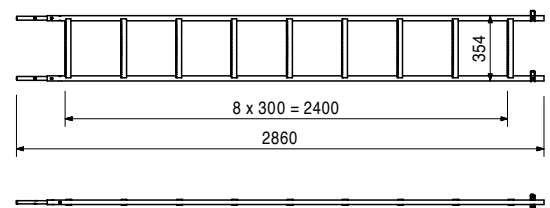
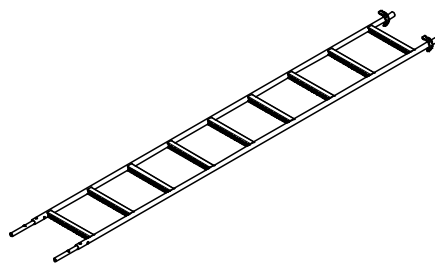
Load-carrying capacity 2.2 t.



115915	12,200
--------	--------

Ladder MXP 270

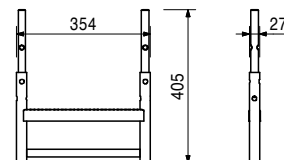
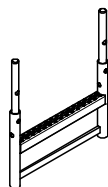
For Platforms MXP with Hatch.



116346	2,430
--------	-------

Ladder Base MXP

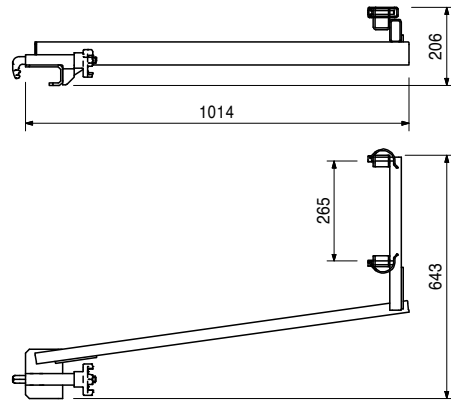
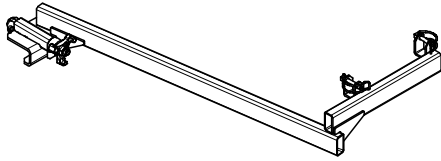
For Ladders MXP.



Item no.	Weight kg
115430	8,320

Ladder Connector MXP

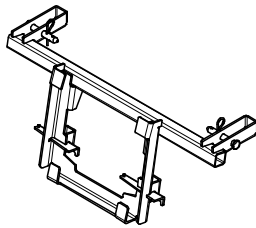
For assembling Ladder MXP on the MAXIMO and TRIO panel.



116665	8,240
--------	-------

Ladder Adaptor MXP 120

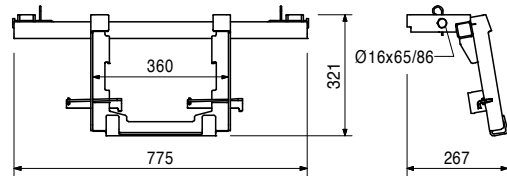
For connecting Ladder MXP at the end of Platforms MXP.



Complete with

2 pc. 018050 Bolt \varnothing 16 x 65/86, galv.

2 pc. 018060 Cotter Pin 4/1, galv.





01 PERI GmbH
 Rudolf-Diesel-Strasse
 89264 Weissenhorn
 info@peri.com
 www.peri.com



02 France
 PERI S.A.S.
 77109 Meaux Cedex
 peri.sas@peri.fr
 www.peri.fr

03 Switzerland
 PERI AG
 8472 Ohringen
 info@peri.ch
 www.peri.ch

04 Spain
 PERI S.A.
 28110 Algete - Madrid
 info@peri.es
 www.peri.es

05 Belgium/Luxembourg
 N.V. PERI S.A.
 1840 Londerzeel
 info@peri.be
 www.peri.be

06 Netherlands
 PERI B.V.
 5480 AH-Schijndel
 info@peri.nl
 www.peri.nl

07 USA
 PERI Formwork Systems, Inc.
 Elkridge, MD 21075
 info@peri-usa.com
 www.peri-usa.com

08 Indonesia
 PT Beton Perkasa Wijaksana
 Jakarta 10210
 bpw@betonperkasa.com
 www.peri.com

09 Italy
 PERI S.p.A.
 20060 Basiano
 info@peri.it
 www.peri.it

10 Japan
 PERI Japan K.K.
 Tokyo 103-0015
 info@perijapan.jp
 www.perijapan.jp

11 United Kingdom/Ireland
 PERI Ltd.
 Rugby, CV23 0AN
 info@peri.ltd.uk
 www.peri.ltd.uk

12 Turkey
 PERI Kalıp ve İskeleleri
 Esenyurt / İstanbul 34510
 info@peri.com.tr
 www.peri.com.tr

13 Hungary
 PERI Kft.
 1181 Budapest
 info@peri.hu
 www.peri.hu

14 Malaysia
 PERI Formwork Malaysia
 Sdn. Bhd.
 43300 Seri Kembangan,
 Selangor Darul Ehsan
 info@perimalaysia.com
 www.perimalaysia.com

15 Singapore
 PERI ASIA Pte. Ltd
 Singapore 387355
 pha@periasia.com
 www.periasia.com

16 Austria
 PERI Ges.mbh
 3134 Nußdorf ob der Traisen
 office@peri.at
 www.peri.at

17 Czech Republic
 PERI spol. s r.o.
 252 42 Jesenice u Prahy
 info@peri.cz
 www.peri.cz

18 Denmark
 PERI Danmark A/S
 2670 Greve
 peri@peri.dk
 www.peri.dk

19 Finland
 PERI Suomi Ltd. Oy
 05460 Hyvinkää
 info@perisuomi.fi
 www.perisuomi.fi

20 Norway
 PERI Norge AS
 3036 Drammen
 info@peri.no
 www.peri.no

21 Poland
 PERI Polska Sp. z o.o.
 05-860 Płochocin
 info@peri.pl.pl
 www.peri.pl.pl

22 Sweden
 PERIform Sverige AB
 30013 Halmstad
 peri@periform.se
 www.periform.se

23 Korea
 PERI (Korea) Ltd.
 Seoul 135-080
 info@perikorea.com
 www.perikorea.com

24 Portugal
 PERIcofragens Lda
 2790-326 Queijas
 info@peri.pt
 www.peri.pt

25 Argentina
 PERI S.A.
 B1625GPA Escobar – Bs. As.
 info@peri.com.ar
 www.peri.com.ar

26 Brazil
 PERI Formas e
 Escoramentos Ltda.
 Vargem Grande Paulista
 São Paulo
 info@peribrasil.com.br
 www.peribrasil.com.br

27 Chile
 PERI Chile Ltda.
 Colina, Santiago de Chile
 peri.chile@peri.cl
 www.peri.cl

28 Romania
 PERI România SRL
 077015 Balotești
 info@peri.ro
 www.peri.ro

29 Slovenia
 PERI Slovenien
 2000 Maribor
 peri.slo@triera.net
 www.peri.com

30 Slovakia
 PERI spol. s r.o.
 903 01 Senec
 info@peri.sk
 www.peri.sk

31 Australia
 PERI Australia Pty. Ltd.
 Glendenning NSW 2761
 info@periaus.com.au
 www.periaus.com.au

32 Estonia
 PERI AS
 76406 Saku vald
 Harjumaa
 peri@peri.ee
 www.peri.ee

33 Greece
 PERI Hellas Ltd.
 194 00 Koropi
 info@perihellas.gr
 www.perihellas.gr

34 Latvia
 PERI SIA
 2118 Salaspils novads,
 Rīgas rajons
 info@peri-latvija.lv
 www.peri-latvija.lv

35 United Arab Emirates
 PERI (L.L.C.)
 Dubai
 perillc@perime.com
 www.perime.com



- 36 Canada**
PERI Formwork Systems, Inc.
Bolton, ON – L7E 1K1
info@peri.ca
www.peri.ca
- 37 Lebanon**
Lebanon Representative Office
Jdeideh
lebanon@peri.de
www.peri.de
- 38 Lithuania**
PERI UAB
02300 Vilnius
info@peri.lt
www.peri.lt
- 39 Morocco**
PERI S.A.
Tanger
peri25@menara.ma
www.peri.com
- 40 Israel**
PERI Formwork
Engineering Ltd
Petach Tikva, 49002
info@peri.co.il
www.peri.co.il
- 41 Bulgaria**
PERI Bulgaria EOOD
1839 Sofia
peri.bulgaria@peri.bg
www.peri.bg
- 42 Iceland**
Armar ehf.
220 Hafnarfjörður
www.armor.is
- 43 Kazakhstan**
TOO PERI Kazakhstan
050059 Almaty
peri@peri.kz
www.peri.kz
- 44 Russian Federation**
OOO PERI
142407, Noginsk District
moscow@peri.ru
www.peri.ru
- 45 South Africa**
Wiehahn Formwork and
Scaffolding (Pty) Ltd.
7600 Stellenbosch
info@wiehahn.co.za
www.wiehahn.co.za
- 46 Ukraine**
TOW PERI Ukraina
07400 Brovary
peri@peri.ua
www.peri.ua
- 47 Egypt**
Egypt Branch Office
11361 Heliopolis / Cairo
info@peri.com.eg
www.peri.com.eg
- 48 Serbia**
PERI Oplate d.o.o.
11272 Dobanovci
office@peri.rs
www.peri.rs
- 49 Mexico**
PERI Cimbras y Andamios,
S.A. de C.V.
Estado de México,
info@peri.com.mx
www.peri.com.mx
- 50 Azerbaijan**
PERI Kalıp ve İskeleleri
Baku
peribaku@peri.com.tr
www.peri.com.tr
- 51 Turkmenistan**
PERI Kalıp ve İskeleleri
Aşgabat
ahmet.kadioglu@peri.com.tr
www.peri.com.tr
- 52 Belorussia**
PERI Belarus
220100 Minsk
info@peri.by
www.peri.by
- 53 Croatia**
PERI oplate i skele d.o.o.
10 250 Donji Stupnik/
Zagreb
info@peri.com.hr
www.peri.com.hr
- 54 Iran**
PERI GmbH
Iran Branch Office
Tehran
info@peri.ir
www.peri.ir
- 55 India**
PERI (India) Pvt Ltd
Mumbai – 400064
info@peri.in
www.peri.in
- 56 Jordan**
PERI GmbH - Jordan
11947 Amman
jordan@peri.com
www.peri.com
- 57 Kuwait**
PERI Kuwait
13011 Kuwait
kuwait@peri.com
www.peri.com
- 58 Saudi Arabia**
PERI Engineering
Division of Jamjoom
Consult Saudi Arabia
21463 Jeddah
info@peri.com.sa
www.peri.com.sa
- 59 Qatar**
PERI Qatar LLC
P.O.Box: 31295 - Doha
info@periqatar.com
www.periqatar.com
- 60 Algeria**
Société PERI S.A.S.
Kouba - Alger
peri.alger@peri.fr
www.peri.fr
- 61 Albania**
PERI Sh.p.k.
Tirane
erti.hasanaj@peri.com.tr
www.peri.com.tr
- 62 Peru**
PERI Peruana SAC
Villa El Salvador, Lima
contacto@peri.com.pe
www.peri.com.pe
- 63 Panama**
PERI Panama Inc.
0832-00155 Panama City
info@peri.com.pa
www.peri.com.pa
- 64 Angola**
PERIcofragens, Lda.
Luanda
renato.portugal@peri.pt
www.peri.pt
- 65 Nigeria**
Heights Access Nigeria Ltd.
Victoria Island, Lagos
info@heightsaccessng.com
www.heightsaccessng.com
- 66 Oman**
PERI (L.L.C.)
Muscat
perimct@perime.com
www.perime.com

The optimal System for every Project and every Requirements



Wall Formwork



Column Formwork



Slab Formwork



Climbing Systems



Tunnel Formwork



Bridge Formwork



Shoring Systems



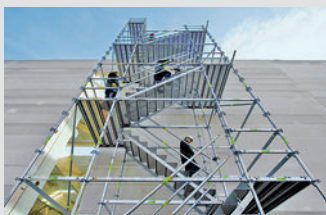
Construction Scaffold



Facade Scaffold



Industrial Scaffold



Access



Protection Scaffold



System-Independent Accessories



Services



PERI GmbH
Formwork Scaffolding Engineering
 P.O. Box 1264
 89259 Weissenhorn
 Germany
 Tel. +49 (0)7309.950-0
 Fax +49 (0)7309.951-0
 info@peri.com
 www.peri.com